



## Cable Handling Grabs

DRAG TYPE (CHGXXX/XX/D)

HOIST TYPE (CHGXXX/XX/L (/V))

RELOCATING ROLLERS (CHRRXX/D)

Mine Cable Services has joined with Australia's Cable Handling Services to offer additional cable handling and protection equipment that has been designed to withstand the extreme working conditions found all over Australia, North and South America, Europe and Asia. These single one piece cable handling devices are lighter, stronger and more rugged and above all safer than other conventional methods of dragging cable, hoisting cable and relocating cables.



## Cable Handling Grab - Drag Application

Cable Handling Grabs used for manual cable relocation and supporting of cable on cable towers, the design allows for all tensional force to be directed through the conductors of the cable not the cables outer sheath as is the case when using slings or other devices.



Improper method of cable dragging



Multiple cables pulled with multiple grabs



Maintains minimum safe cable radius.



Cable Handling Grab: Light weight,

### Benefits:

1. Lightweight for staff to carry easily
2. Easy to Apply  
(Just drop onto cable) (See Video)
3. Eliminates cable damage  
(No more knuckled or choked cables)
4. Creates the same standard at all times.  
(Maintains minimal bending Radius)



To review video: (Click [HERE](#) to view video)

CHS Part No. Drag Version (D)	CHS Metric Cable Range	Cable Dia Range	Metric Dia Equivalent	MCS Letter Equivalent	Working Load Limit (WLL) (Hoist Version)
CHG400/45/D	38mm to 46mm	1.625" to 1.875"	41mm to 47mm	E	1000 kgs (V=Violet)
CHG400/60/D	48mm to 61mm	2.125" to 2.375"	54mm to 60mm	G	1000 kgs (V=Violet)
CHG400/65/D	58mm to 66mm	2.250" to 2.500"	57mm to 63mm	GH	1000 kgs (V=Violet)
CGH450/65/D	58mm to 66mm	2.375" to 2.625"	60mm to 66mm	H	1000 kgs (V=Violet)
CHG450/70/D	63mm to 71mm	2.625" to 2.875"	66mm to 73mm	J	1000 kgs (V=Violet)
CHG450/75/D	68mm to 76mm	2.750" to 3.000"	69mm to 76mm	JK	1000 kgs (V=Violet)
CHG500/90/D	83mm to 91mm	3.25" to 3.500"	81mm to 90mm	K	1000 kgs (V=Violet)

## Cable Handling Grab - Hoisting Application

Cable Handling Grabs used for cable hoisting supporting cable on cable towers, allows for all tensional force to be directed through the conductors of the cable not the cables outer sheath as is the case when using slings or other devices. The cable grab is designed to provide the best minimum bend radius for the cable when suspended. The cable grabs are colour coded for specific working load limits of 1000 kgs to 2500 kgs depending on the cables to be suspended. A large cable range is accommodated with our selection.



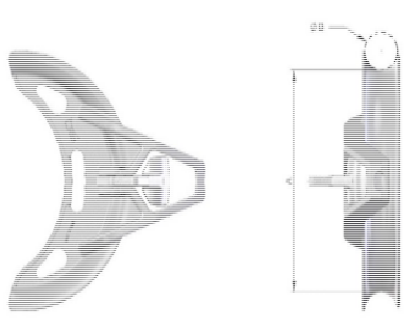
Examples of ways not to grab and suspend cable without serious damage to jacket and/or conductors. Some examples are completely unsafe and impractical!



Cable Grab suspended with Safety Sling

Select the correct Cable Grab size from the table below:

CHS Part No. Hoist Version	CHS Metric Cable Range	Cable Dia Range ('B')	Metric Dia Equivalent	MCS Letter Equivalent	Working Load Limit (WLL) (Hoist Version)
CHG400/45/L/V	38mm to 46mm	1.625" to 1.875"	41mm to 47mm	E	1000 kgs (V=Violet)
CHG400/60/L/V	48mm to 61mm	2.125" to 2.375"	54mm to 60mm	G	1000 kgs (V=Violet)
CHG400/65/L/V	58mm to 66mm	2.250" to 2.500"	57mm to 63mm	GH	1000 kgs (V=Violet)
CGH450/65/L/V	58mm to 66mm	2.375" to 2.625"	60mm to 66mm	H	1000 kgs (V=Violet)
CHG450/70/L/V	63mm to 71mm	2.625" to 2.875"	66mm to 73mm	J	1000 kgs (V=Violet)
CHG450/75/L/V	68mm to 76mm	2.750" to 3.000"	69mm to 76mm	JK	1000 kgs (V=Violet)
CHG500/90/L/V	83mm to 91mm	3.25" to 3.500"	81mm to 90mm	K	1000 kgs (V=Violet)
00763	SAFETY SLING				



## Cable Handling Relocating Rollers

Cable Handling Relocating Rollers used for relocating cables and hoses are rugged, lightweight and easy to maneuver in place.



CHS Part No. Relocating Roller	CHS Metric Cable Range	Cable Imperial Range
CHRR45/D	38mm to 46mm	1.625" to 1.875"
CHRR60/D	48mm to 61mm	2.125" to 2.375"
CHRR75/D	68mm to 76mm	2.750" to 3.000"
CHRR90/D	83mm to 91mm	3.25" to 3.500"
CHRR110/D	98mm to 111mm	3.875" to 4.375"
CHRR130/D	110mm to 130mm	4.300" to 5.125"

### HEAD OFFICE

7731—16th Street NW  
Edmonton, AB  
Canada, T6P 1M1

TF: 1.800.663.2889

T: 780.439.1113

F: 780.439.4443

E: [sales@minecableservices.ca](mailto:sales@minecableservices.ca)



...YOUR FINAL CONNECTION!!!