



Mine Cable Services Corporation

7731-16th Street NW
Edmonton, Alberta, Canada, T6P 1M1
Tel: (780) 439-1113 Fax: (780) 439-4443
Toll free: (800) 663-2889
Email: sales@minecableservices.ca

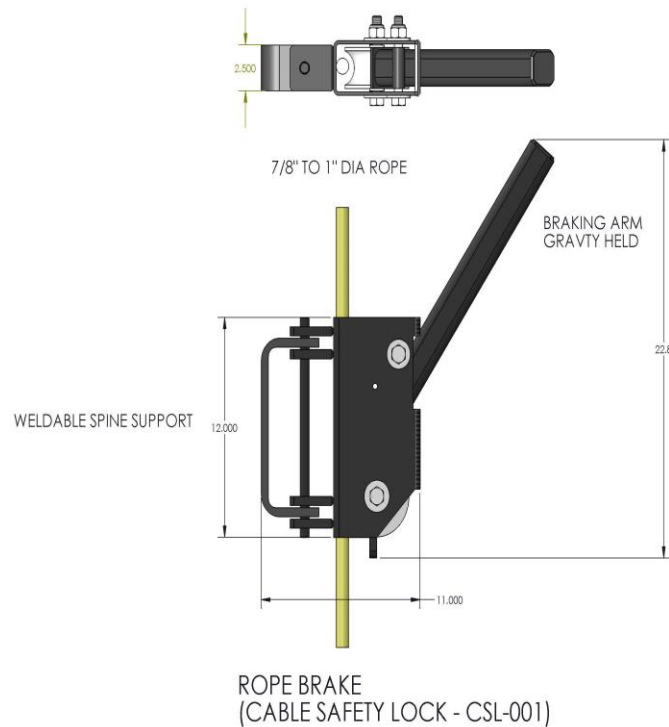
ROPE BRAKE (CABLE SAFETY LOCK)

CATALOGUE NO.: CSL-001



A safe, innovative approach to your cable hoisting needs that is faster and safer than anything else on the market today!

PRODUCT SPECIFICATIONS



- Automatic braking with complete safety
- Rope Brake pivots 180° to provide constant directional pull when hoisting.
- Best used with 7/8" Dia to 1 1/4" Dia Rope

FEATURES

- Self-braking
- Heavy duty design meeting rigid industry requirements
- Maintenance free
- Never wears out.

Dimensions: 24" Deep x 18" High x 4" Wide

Weight: 16 kg (35 lbs) Approx